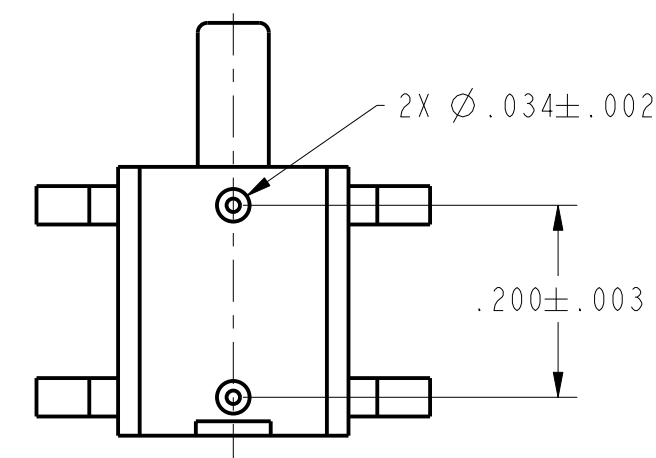
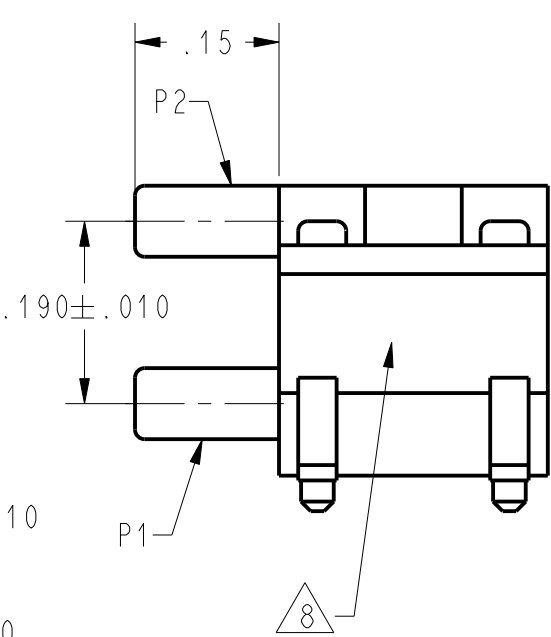
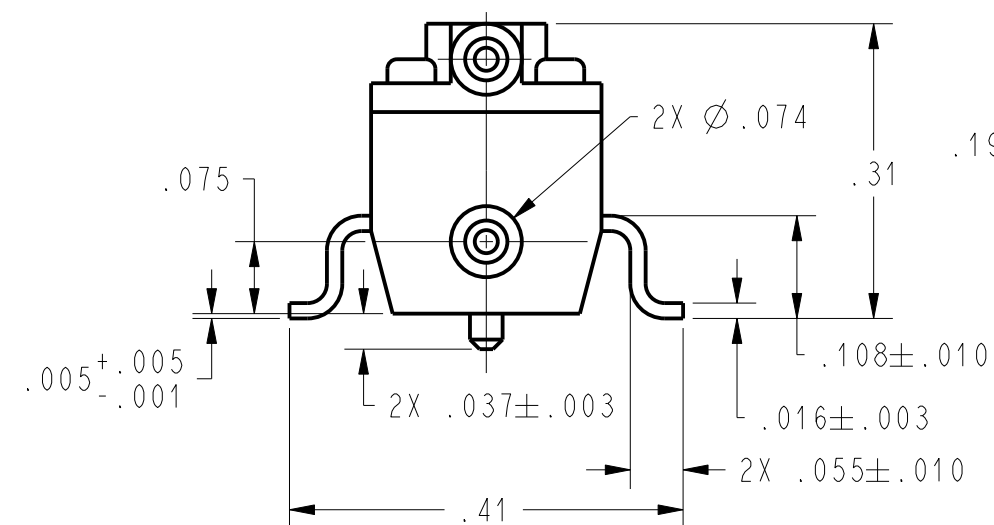
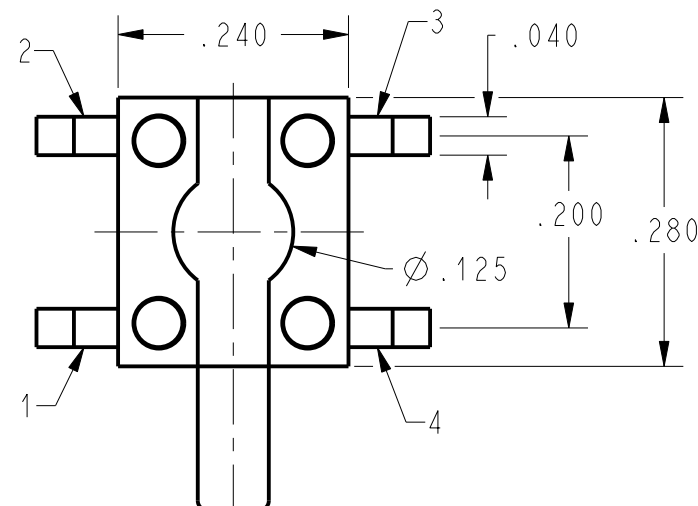


REV	DOCUMENT	CHANGED BY	CHECK
6	0001387	TRF 18SEP03	SAV



CATALOG LISTING	BRANDING CODE
24PC01SMT	401F
24PC05SMT	405F
24PC15SMT	415F
24PC01SMT-SAMPLES	401F
24PC05SMT-SAMPLES	405F
24PC15SMT-SAMPLES	415F

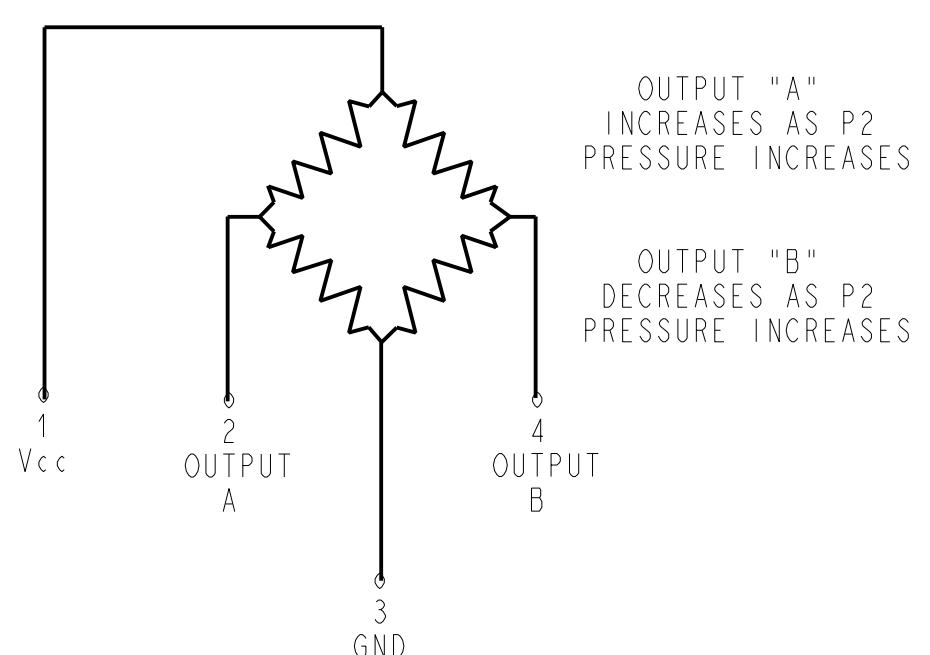
GENERAL OPERATING CHARACTERISTICS

(ELECTRICAL PERFORMANCE AT 10.00±0.01 VDC EXCITATION, 25°C)

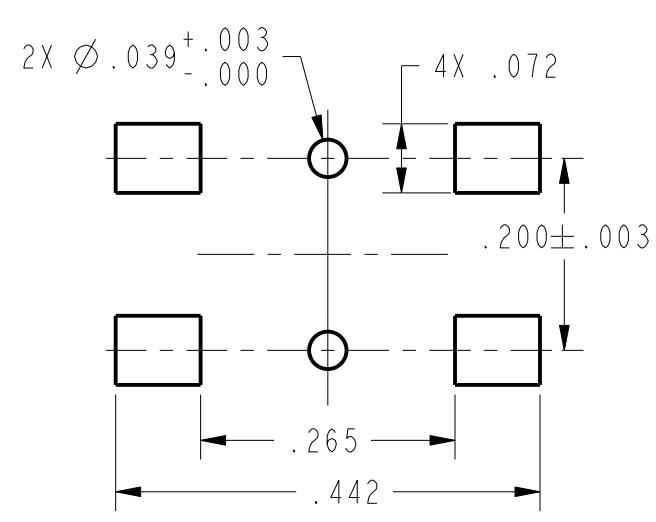
OPERATING PRESSURE RANGE (PSIG)	0 - 1 (A)			0 - 5 (B)			0 - 15 (C)			UNITS
	MIN	NOM	MAX	MIN	NOM	MAX	MIN	NOM	MAX	
CATALOG LISTING	24PC01SMT			24PC05SMT			24PC15SMT			
SPAN (P2>P1) ¹	25	45	65	80	115	150	160	225	290	mV
NULL OFFSET	-30	0	+30	-30	0	+30	-30	0	+30	mV
	MIN	TYP	MAX	MIN	TYP	MAX	MIN	TYP	MAX	UNITS
LINEARITY (BFSL, P2>P1)		±0.15	±0.4		±0.1	±0.2		±0.1	±0.3	% SPAN
NULL SHIFT (0 TO 25°C, 25 TO 50°C) ²		±1.0			±1.0			±1.0		mV
SPAN SHIFT (0 TO 25°C, 25 TO 50°C) P2>P1 ²		±5.0			±5.0			±5.0		% SPAN
MECHANICAL HYSTERESIS		±0.2			±0.1			±0.2		% SPAN
OVERPRESSURE (P2>P1 ; P1>P2)			20			20			45	PSI
ALL PRESSURE RANGES	MIN	NOM	MAX	UNITS						
EXCITATION VOLTAGE		10	12	VDC						
INPUT RESISTANCE	4.0K	5.0K	6.0K	OHMS						
OUTPUT RESISTANCE	4.0K	5.0K	6.0K	OHMS						
RESPONSE TIME			1.0	mS						
TEMPERATURE RANGES										
STORAGE	-55°C TO +100°C (-67°F TO +212°F)									
OPERATE	-40°C TO +85°C (-40°F TO +185°F)									

- NOTES
- ¹ SPAN IS THE ALGEBRAIC DIFFERENCE BETWEEN OUTPUT AT MAXIMUM RATED OPERATING PRESSURE AND OUTPUT AT 0 PSI
 - ² TEMPERATURE ERROR IS CALCULATED WITH RESPECT TO 25°C
 - ³ - INPUT MEDIA LIMITED ONLY TO THOSE MATERIALS THAT WILL NOT ATTACK SILICON, THE HOUSING MATERIAL OR SEAL MATERIAL
 - ⁴ - SENSOR IS OPERATIONAL OVER VACUUM PRESSURE RANGE
 - ⁵ - RATIOMETRIC TO SUPPLY VOLTAGE
 - ⁶ - RECOMMENDED TUBING SIZE: .062 I.D. X .031 WALL THICKNESS
 - ⁷ - FOR COMMON MODE NULL OFFSET INFORMATION, SEE APPLICATION NOTES
 - ⁸ LASER MARK DATE CODE AND BRANDING CODE THIS AREA

CIRCUIT DIAGRAM



SUGGESTED LAND PATTERN



UNLESS OTHERWISE SPECIFIED TOLERANCES ARE: NO PLACE X ±.040 ±1 ONE PLACE .X ±.030 ±0,4 TWO PLACE .XX ±.015 ±0,15 THREE PLACE .XXX ±.005 ± ANGLES ± RAW MATERIAL-COMMERCIAL STANDARD	<input checked="" type="checkbox"/> US (inch) CUSTOMARY	<input type="checkbox"/> SI (mm) METRIC	DRAWN	GLH	31 JUL 01	Honeywell	
	THIRD ANGLE PROJECTION			CHECK	SAV		31 JUL 01
THIS DRAWING COVERS A PROPRIETARY ITEM AND IS THE PROPERTY OF HONEYWELL. THIS DRAWING IS NOT TO BE COPIED OR USED WITHOUT THE PERMISSION OF HONEYWELL.			TITLE			BRIDGE PRESSURE SENSOR -	
DIMENSIONS ARE TO BE MET BEFORE PROTECTIVE COATINGS ARE APPLIED			SIZE	DWG TYPE	DRAWING NAME		REV
3D PTC			ASME Y14.5M-1994	C	I	24PC SMT SERIES CHART 1	6
SCALE			5:1	WEIGHT	5 GRAMS	SHEET	1 OF 1